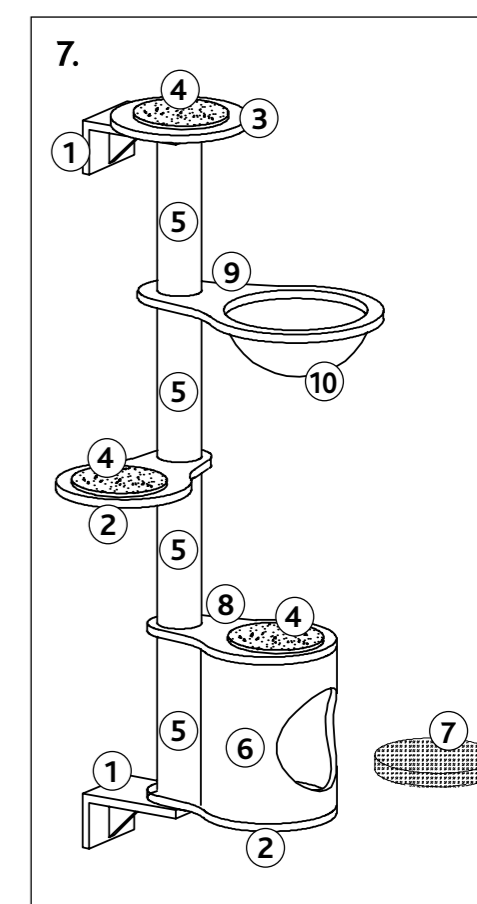
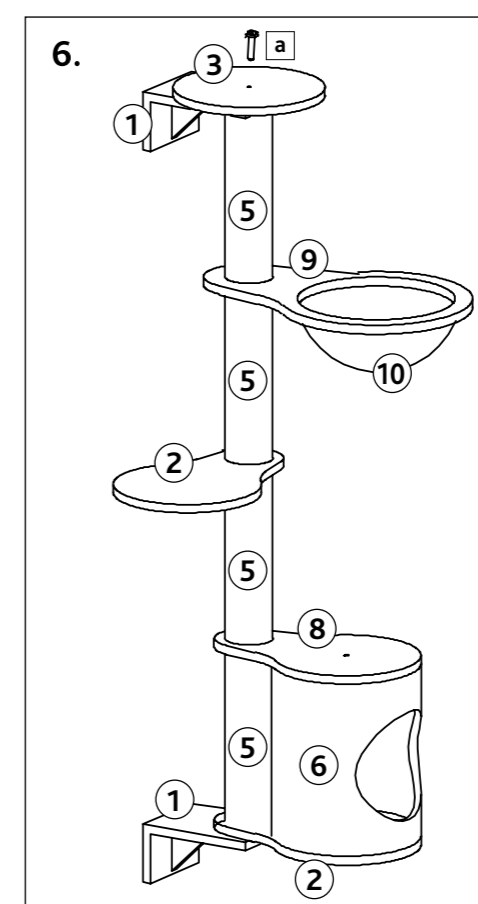
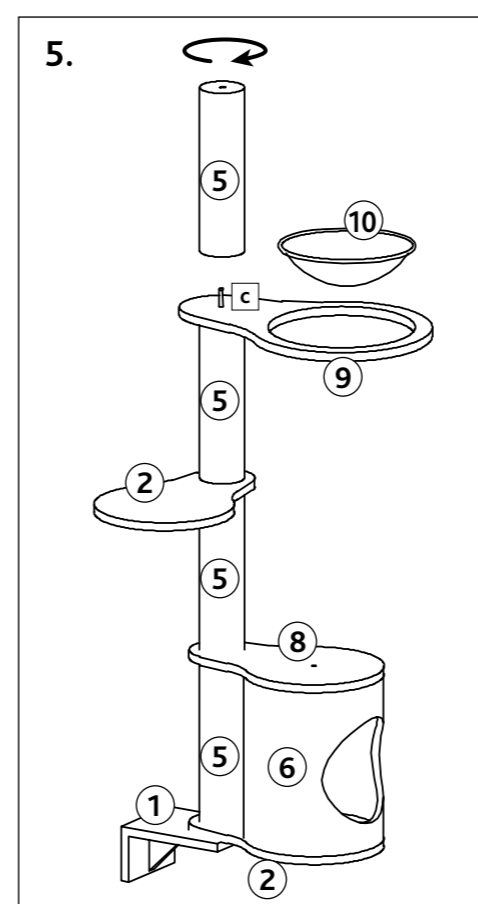
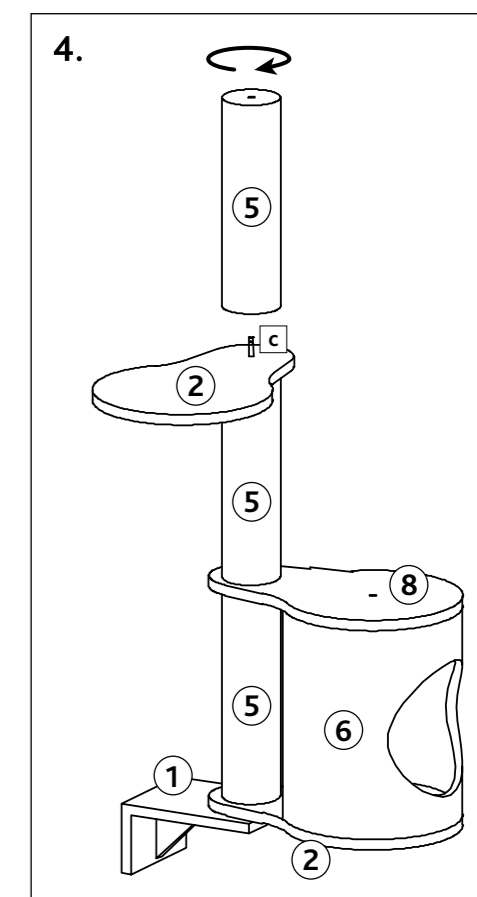
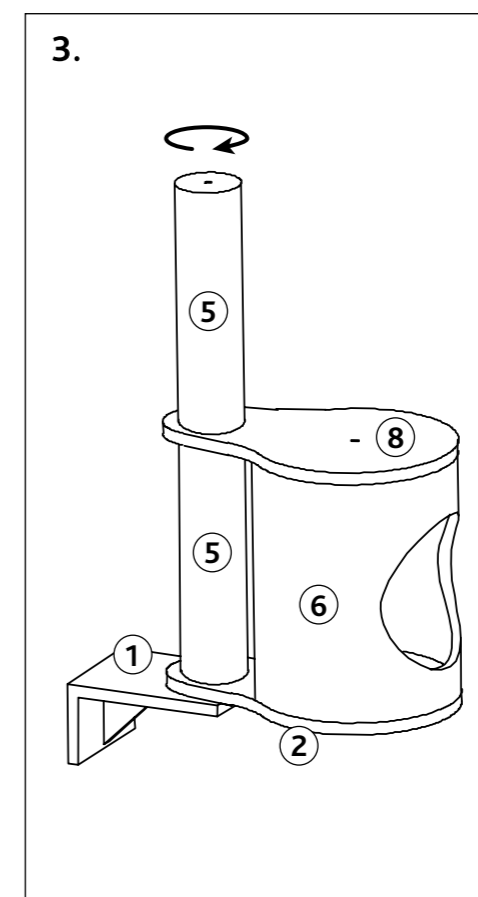
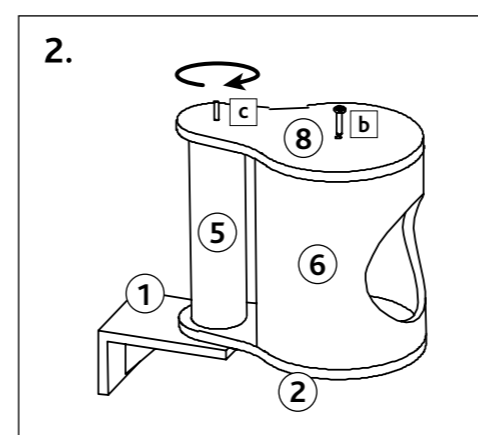
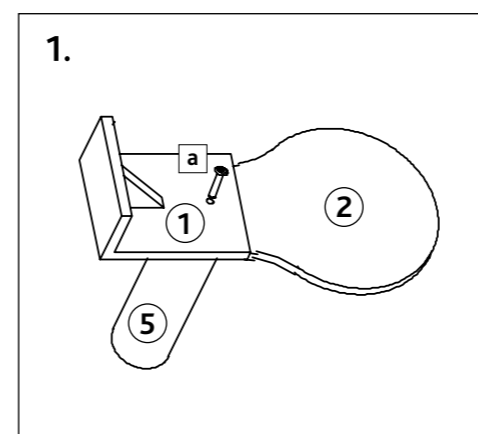
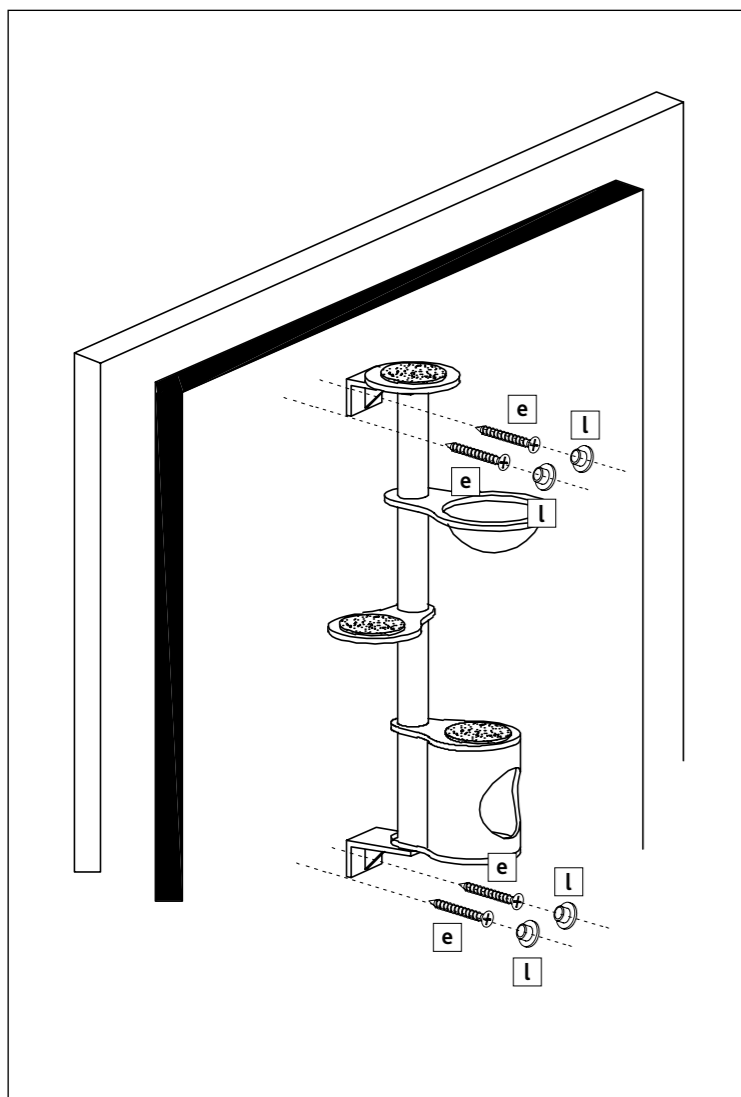


Item No.	Wall mounted cat tree	Color	Height
49890	Mateo	natural/white	54.3 in. (138 cm)

Pos. No.	Description	Measurement in in./mm	Quantity	Item No.
Pos. 1	Wall mount panel	8.7 × 4.7 × 4.5 in. (220 × 120 × 115 mm)	2	49890-10
Pos. 2	Platform	15.7 × 11.8 in. (400 × 300 mm)	2	49890-11
Pos. 3	Top platform	DIAM 11.8 (ø 300 mm)	1	49890-12
Pos. 4	Sisal carpet for platforms	DIAM 10.2 (ø 260 mm)	3	49890-13
Pos. 5	Post, sisal	DIAM 3.5 × 11.8 in. (ø 90 × 300 mm)	4	49890-20
Pos. 6	Cave	DIAM 11.8 × 11.8 in. (ø 300 × 300 mm)	1	49890-30
Pos. 7	Cushion for cave	DIAM 11.8 × 0.6 in. (ø 300 × 15 mm)	1	49890-31
Pos. 8	Cave platform	15.7 × 11.8 in. (400 × 300 mm)	1	49890-32
Pos. 9	Sleeping capsule frame	19.7 × 15.7 in. (500 × 400 mm)	1	49890-40
Pos. 10	Sleeping capsule, plastic	DIAM 11.8 in. (ø 300 mm)	1	49890-41
Pos. a	Socket screw	DIAM 0.3 × 2 in. (M8 × 50 mm)	2	49890-60
Pos. b	Socket screw	DIAM 0.3 × 1.6 in. (M8 × 40 mm)	1	
Pos. c	Thread rod	DIAM 0.3 × 3.1 in. (M8 × 80 mm)	3	
Pos. d	Allen key		1	
Pos. e	wood screw (for wooden wall or wooden stud)	DIAM 0.2 × 1.9 in. (ø 5 × 48 mm)	4	
Pos. f	screw for stone wall	DIAM 0.25 × 2.2 in. (ø 6,3 × 55 mm)	4	
Pos. g	stone wall anchor, plastic	DIAM 0.25 × 2.2 in. (ø 6,3 × 55 mm)	4	
Pos. h	metal screw (for metal stud)	DIAM 0.15 × 1.5 in. (ø 4 × 37 mm)	4	
Pos. i	dry wall screw	DIAM 0.15 × 1.1 in. (ø 4 × 28 mm)	4	
Pos. j	dry wall anchor, metal	DIAM 0.5 × 1.3 in. (ø 13 × 32 mm)	4	
Pos. k	washer	DIAM 0.4 in. (ø 10 mm)	4	
Pos. l	screw caps	DIAM 0.4 in. (ø 10 mm)	4	





EN Work steps for wooden wall

First Step

Assemble the cat tree as shown in the manual.

Second Step

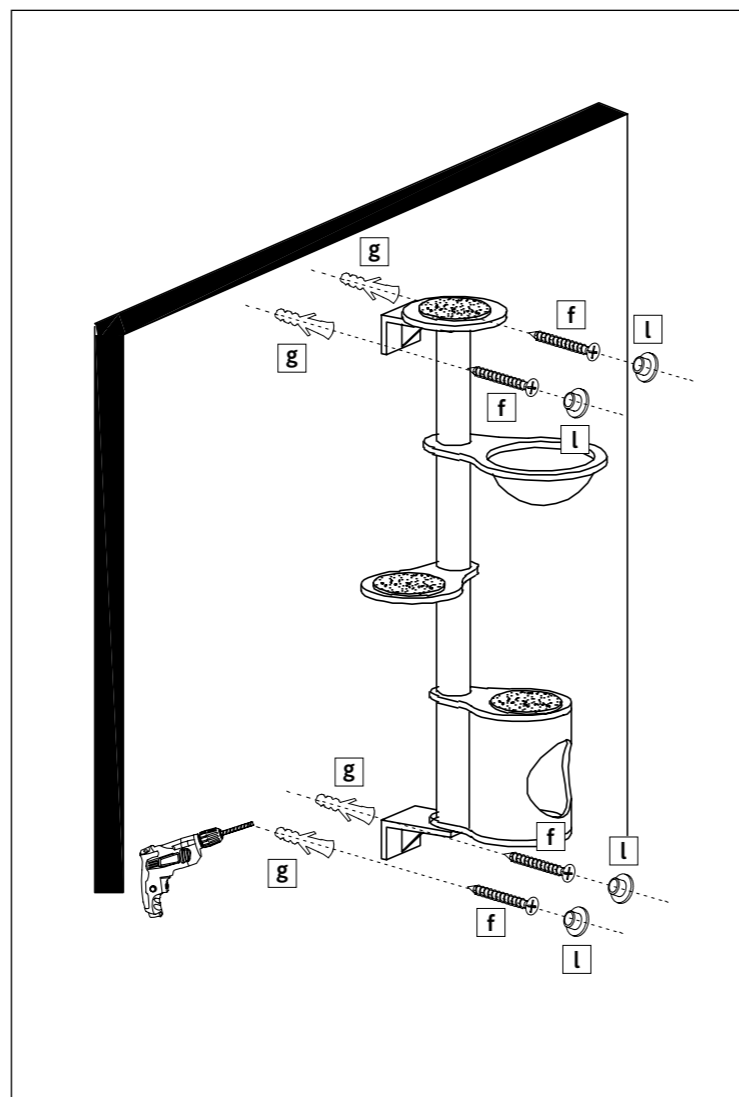
Please use a pencil. Bring the product in final position and mark the screw-points in desired location. Use a spirit level or have someone eyeball to make sure the holes are levelled.

Third Step

Mount the cat tree with attached screws to wooden wall at pilot marking and cover the screws with screw caps.

Advice:

Please note the secure assembly and mounting requires two adults.



EN Work steps for stone wall or plaster wall with anchors

First Step

Assemble the cat tree as shown in the manual.

Second Step

Bring the product in final position and mark the screw-points in desired location. Use a spirit level or have someone eyeball to make sure the holes are levelled.

Third Step

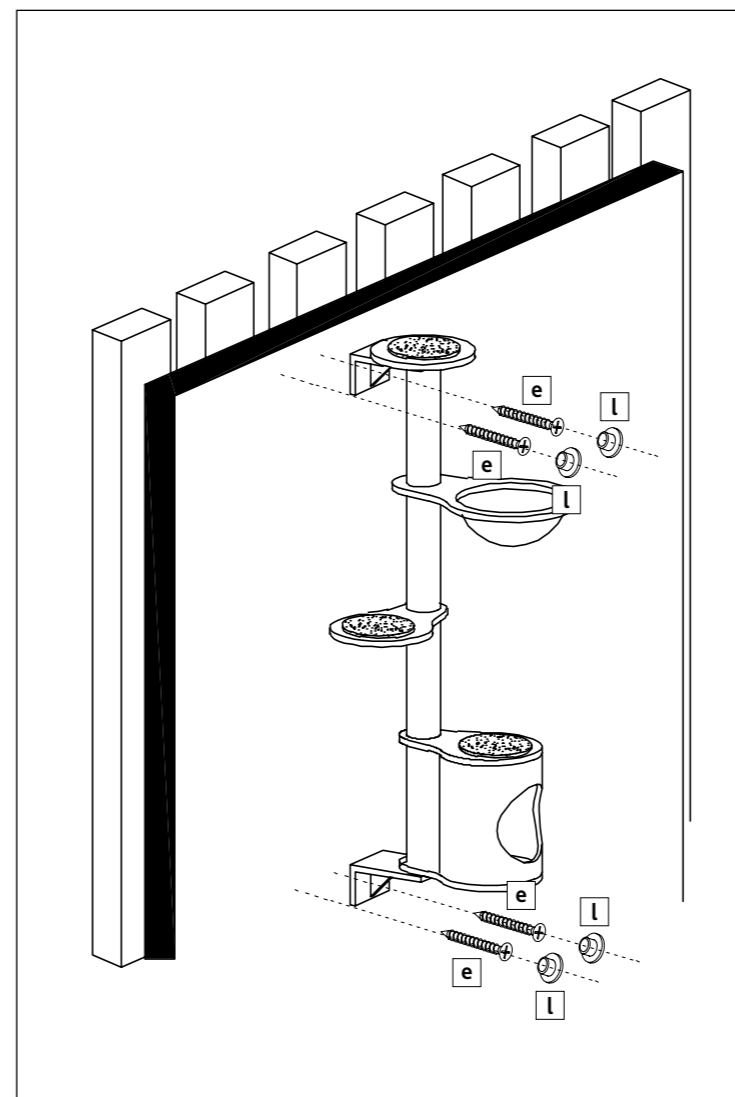
Drill 1/4" holes at pilot marking, be sure to keep the drill level. Make sure hole depth matches wall anchor length. Insert 1/4" wall anchors into drilled holes (some anchors might require a hammer).

Final step

Mount the cat tree with attached screws to the anchor and cover the screws with screw caps.

Advice:

Please note the secure assembly and mounting requires two adults.



EN Work steps for drywall with wooden drywall stud or metal stud

First Step

Assemble the cat tree as shown in the manual.

Second Step

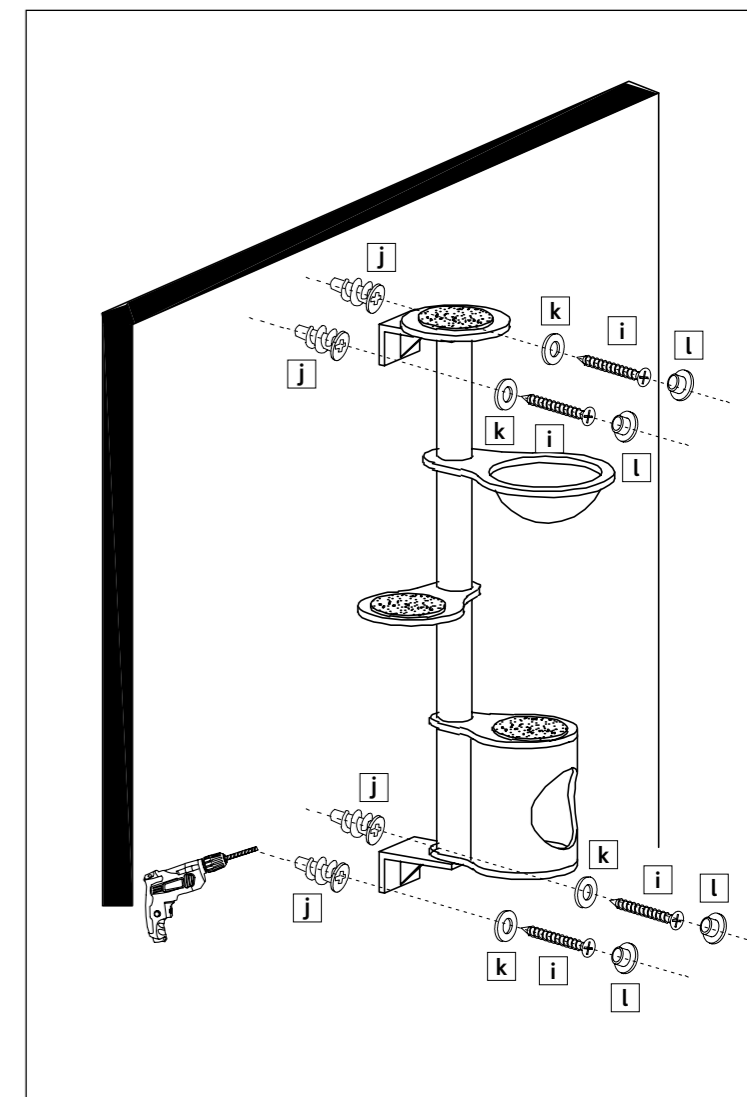
Use a stud-finder or other technique to locate the studs. Please use a pencil. Bring the product in final position and mark the screw-point on the center of the stud. Use a spirit level or have someone eyeball to make sure the holes are levelled.

Final step

Before you start, make sure to check whether you have wooden or metal studs to select the correct screws. For wooden stud: Mount the cat tree with attached screws to wooden studs at pilot markings. For metal stud: Mount the cat tree with attached washers and screws to metal studs at pilot markings. Cover the screws with screw caps.

Advice:

Please note the secure assembly and mounting requires two adults.



EN Work steps for drywall - Drywall connection with drywall anchor

First Step

Assemble the cat tree as shown in the manual.

Second Step

Please use a pencil. Bring the product in final position and mark the screw-point on the center of the wall. Use a spirit level or have someone eyeball to make sure the holes are levelled.

Third Step

If you use self-drilling wall anchors a pilot hole is not needed. Use your drill and the 3/16" bit to make pilot holes for maximum 1 inch to markings. Insert wall anchors for dry walls. Be careful not to break the drywall panel.

Final step

Mount the cat tree with attached screws to the wall anchor make sure the screws are fastened securely.

Advice:

Please note the secure assembly and mounting requires two adults.